

**ANTIFIRE 28**  
**FIRE RATING:**  
**60 MINUTE INTEGRITY/60 MINUTE INSULATION**

**DESCRIPTION**  
 AntiFire uniquely utilises 2-pane technology for all fire-rating classes. In the event of a fire the fire-exposed glass pane cracks and collapses allowing the gel interlayer within the AntiFire makeup to intumesce to form an opaque fire, heat resistant, and insulating barrier.

**TECHNICAL DATA**

SPECIFICATION & IDENTIFICATION	AntiFire 28 EI 60 - 28	AntiFire 28EG EI 60 - 33	AntiFire 28/33EG EI 60 - 28/33
Glazing Type	Single	Single	Double Glazed
Grade	Internal	External	External
Nominal Thickness	28mm	33mm	38mm-50mm
Weight	46kg/m <sup>2</sup>	56kg/m <sup>2</sup>	56kg/m <sup>2</sup> - 62kg/m <sup>2</sup> *
Dimension Tolerance	± 2mm	± 2mm	± 2mm
Safety Rating (BS 6206) (EN 12150)	Class A 1C2	Class A 1C2	Class A 1C2
Light Transmission	≥ 85%	≥ 85%	≥ 85%
Sound Reduction Rw Index (EN 12758)	42dB	43dB*	44dB*

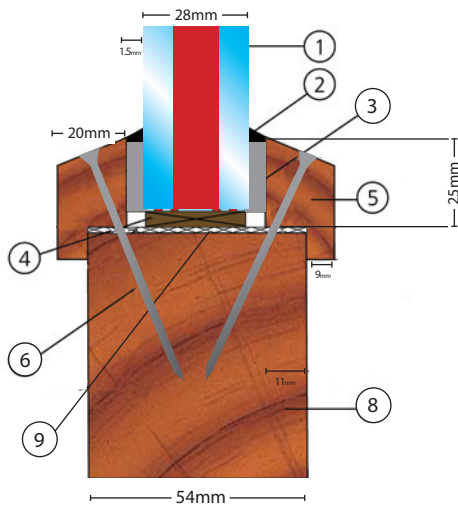
\* Estimated

**APPLICATIONS AND CERTIFICATION ACCORDING TO EN1364-1 & EN1634-1**

APPLICATIONS	MAXIMUM DIMENSIONS (*) (Width x Height)	TEST METHOD	CERTIFICATION
Timber Doorsets	710 x 1830mm	EN1634-1	Pavus No. Pr-12-2.077-En
Timber Screens	1500 x 2500mm	EN 1364-1	Pavus No. Pr-11-2.015
Steel Screens	1500 x 2500mm	EN 1364-1	Fires FR 044/05 CPS (E)

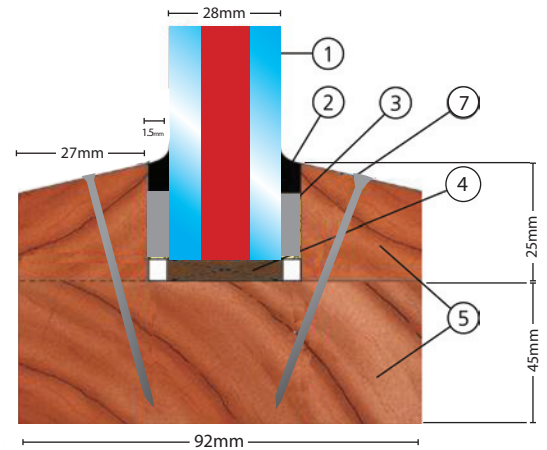
(\*) Please note max tested dimensions maybe increased under external application or for alternative dimension sizes within tested pane area please consult LG Glass & Glazing Ltd

**Timber Doorset**



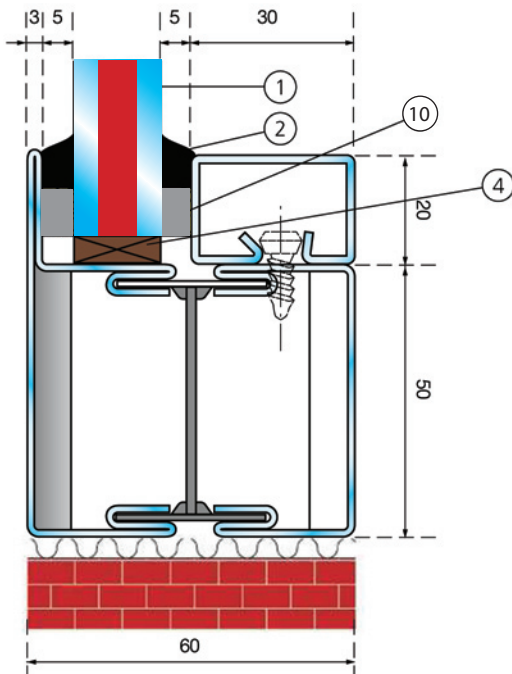
Report Pavus No. Pr-12-2.077-En

**Timber Screen**



Report Pavus No. Pr-11-2.015

**Steel Screen**



Report Fires FR 044/05 CPS (E)  
Jansen Janisol 2

- 1) AntiFire
- 2) Silicone Sealant
- 3) Intumex Intumescent Tape
- 4) Setting Block
- 5) Hardwood
- 6) Steel Pins 60mm
- 7) Steel Screws 45mm x 4mm
- 8) Hardwood
- 9) Intumescent 2mm thick
- 10) Fiberfrax FT Intumscent Tape